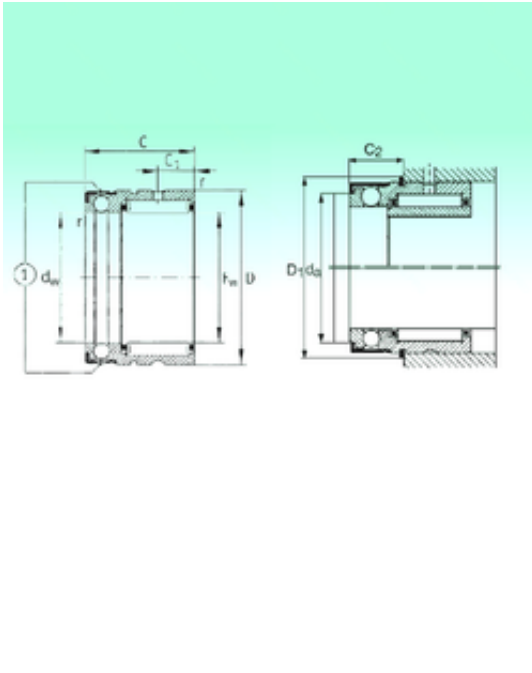




NTN BEARING-SUDAMERICANA, S.A.



NX 10 Bearing 2D drawings and 3D CAD models

NBS NX 10 Complex bearing

Bearing No. NX 10

Size	10x19x18 mm
Bore Diameter	10 mm
Outer Diameter	19 mm
Width	18 mm
d	10 mm
Fw	0,025 mm
D	19 mm
C	18 mm
C1	4,7 mm
D1	21,9 mm
C2	10 mm
da	14,6 mm
Dynamic load rating radial (C)	4,2 kN
Dynamic load rating axial (C)	4,9 kN
Static load rating radial (C0)	3,5 kN
Static load rating axial (C0)	7,4 kN