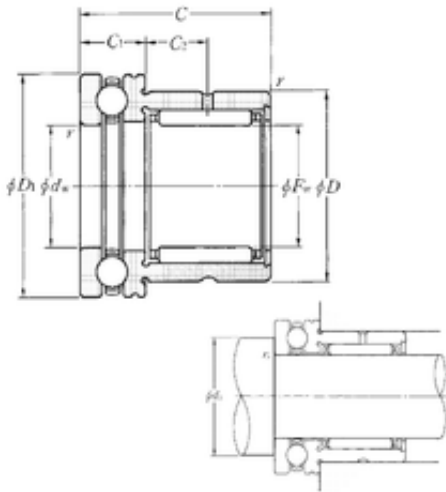




# NTN BEARING-SUDAMERICANA, S.A.



NKX10T2 Bearing 2D drawings and 3D CAD models

## NTN NKX10T2 Complex bearing

Bearing No. NKX10T2

Size	10x24x23 mm
Bore Diameter	10 mm
Outer Diameter	24 mm
Width	23 mm
d	10 mm
Fw	10 mm
D	19 mm
D1	24 mm
C	23 mm
r min.	0,3 mm
C1	9 mm
da min.	18 mm
ra max.	0,3 mm
C2	6,5 mm
Weight	0,037 Kg
Dynamic load rating radial (C)	5,45 kN
Dynamic load rating axial (C)	10 kN
Static load rating radial (C0)	6,45 kN
Static load rating axial (C0)	14 kN
(Grease) Lubrication Speed	6700 r/min
dw	10 mm
rs min	0.3 mm
Dw	1.5 mm
Dw1	4.76 mm
Lw	7.8 mm



## NTN BEARING-SUDAMERICANA, S.A.

Lubrication hole on outer ring	Oui/Yes
Precision class	P0
Mass	0.04 kg
Cr	5.45 kN
Ca	10 kN
C0r	6.45 kN
C0a	14 kN
Nlim (grease)	6,700 rpm
Nlim (oil)	9,500 rpm
Min operating temperature, Tmin	-20 ° C
Max operating temperature, Tmax	120 ° C
da min	18 mm
ras max	0.3 mm
Category	Bearings
Inventory	0.0
Manufacturer Name	NTN
Minimum Buy Quantity	N/A
Weight / Kilogram	0.038
Product Group	B04144