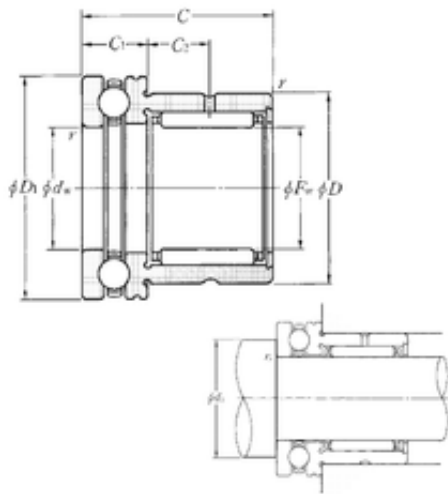




NTN BEARING-SUDAMERICANA, S.A.



NKX40 Bearing 2D drawings and 3D CAD models

NTN NKX40 Complex bearing

Bearing No. NKX40

Bore Diameter	40 mm
Outer Diameter	60 mm
d	40 mm
Fw	40 mm
D	52 mm
D1	60 mm
C	32 mm
r min.	0,6 mm
C1	13 mm
da min.	52 mm
ra max.	0,6 mm
C2	10 mm
Weight	0,216 Kg
Dynamic load rating radial (C)	25,9 kN
Dynamic load rating axial (C)	26,9 kN
Static load rating radial (C0)	52,5 kN
Static load rating axial (C0)	63 kN
(Grease) Lubrication Speed	3500 r/min
dw	40 mm
rs min	0.6 mm
Dw	2.5 mm
Dw1	7.14 mm
Lw	15.3 mm
Lubrication hole on outer ring	Oui/Yes



NTN BEARING-SUDAMERICANA, S.A.

Precision class	P0
Mass	0.22 kg
Cr	25.9 kN
Ca	26.9 kN
C0r	52.5 kN
C0a	63 kN
Nlim (grease)	3,500 rpm
Nlim (oil)	5,000 rpm
Min operating temperature, Tmin	-20 ° C
Max operating temperature, Tmax	120 ° C
da min	52 mm
ras max	0.6 mm
Category	Roller Bearings
Inventory	0.0
Manufacturer Name	NTN
Minimum Buy Quantity	N/A
Weight / Kilogram	0.222
EAN	4547359126389
Product Group	B04144
bore diameter:	40 mm
static load capacity:	5350 kgf
outside diameter:	61 mm
maximum rpm:	5000 RPM
overall width:	32 mm
flanges:	No Flange
needle bearing type:	Machined Bearing with No Inner Ring
series:	NKX
closure type:	Open
lubrication hole type:	No Hole
dynamic load capacity:	2650 kgf



NTN BEARING-SUDAMERICANA, S.A.

precision rating:

Not Rated