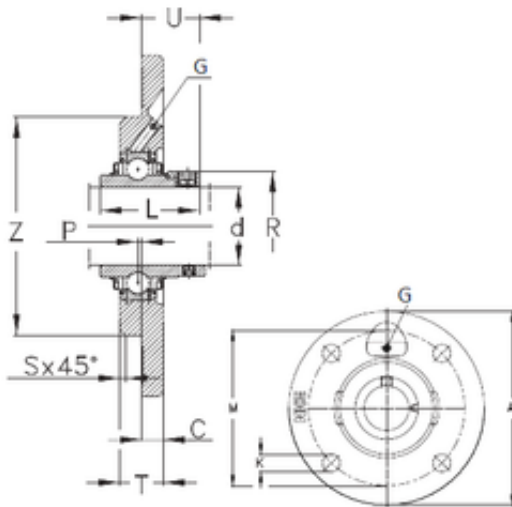




NTN BEARING-SUDAMERICANA, S.A.



RME030 Bearing 2D drawings and 3D CAD models

NKE RME030 Bearing unit

Bearing No. RME030

Bore Diameter	30 mm
d	30 mm
P	2 mm
U	34,5 mm
K	14,5 mm
Z	90 mm
A	162 mm
C	15 mm
L	50 mm
M	134 mm
R	51 mm
S	2 mm
T	23 mm
Thread (G)	M6