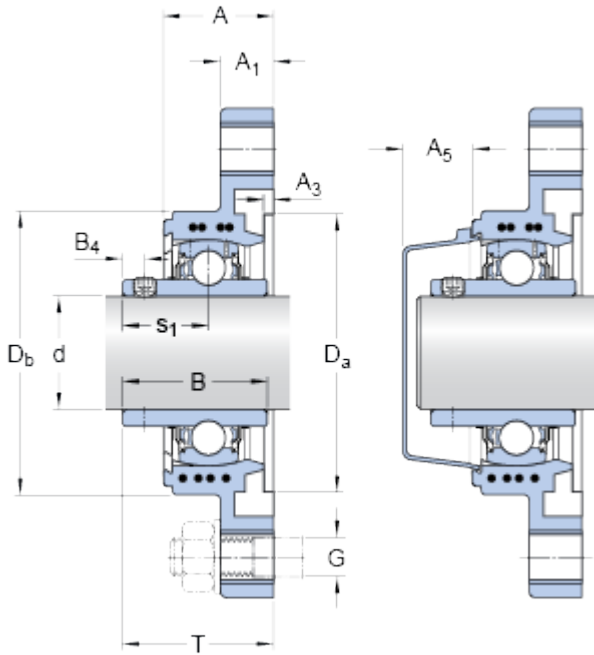




NTN BEARING-SUDAMERICANA, S.A.



FYTBK 35 TF Bearing 2D drawings and 3D CAD models

SKF FYTBK 35 TF Bearing unit

Bearing No. FYTBK 35 TF

Size	35x35x17 mm
Bore Diameter	35 mm
Outer Diameter	35 mm
Width	17 mm
d	35 mm
A	35 mm
A ₁	17 mm
A ₃ - H14	3.2 mm
A ₅	22 mm
B	42.9 mm
B ₄	6 mm
D _a - H11	88.9 mm
D _b	90 mm
J	130 mm
H	156 mm
L	96 mm
H	14.8 mm
s ₁	25.4 mm
T	46.4 mm
Basic dynamic load rating - C	25.5 kN
Basic static load rating - C ₀	15.3 kN
Fatigue load limit - P _u	0.655 kN
Limiting speed	5300 r/min
Mass bearing unit	0.59 kg



NTN BEARING-SUDAMERICANA, S.A.

Thread - G ₂	M6x0.75
Hexagonal key size for grub screw - H	3 mm
Category	Bearings
Inventory	0.0
Manufacturer Name	SKF
Minimum Buy Quantity	N/A
Weight / Kilogram	0
Product Group	M06110
Housing material	Composite
D _a	88.9 mm
D _b	90 mm
A ₁	17 mm
A ₃	3.2 mm
A ₅	22 mm
B ₄	6 mm
N	14.8 mm
s ₁	25.4 mm
Basic dynamic load rating C	25.5 kN
Basic static load rating C ₀	15.3 kN
Fatigue load limit P _u	0.655 kN
Thread grub screw G ₂	M6x0.75
Hexagonal key size for grub screw N	3 mm
Recommended tightening torque for grub screw	4 N · m
Recommended diameter for attachment bolts, mm G	12 mm
Recommended diameter for attachment bolts, inch G	0.5 in