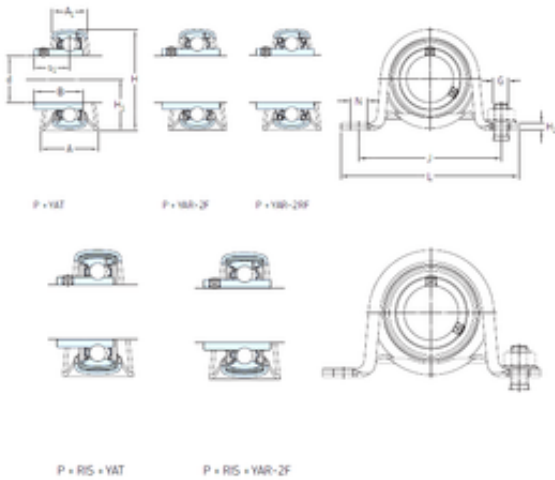




NTN BEARING-SUDAMERICANA, S.A.



SKF P 40 TF Bearing unit

Bearing No. P 40 TF

Bore Diameter	40 mm
d	40 mm
s1	30,2 mm
A	43 mm
A1	29 mm
B	49,2 mm
H	86 mm
H1	43,5 mm
H2	5 mm
J	120 mm
L	148 mm
N	14 mm
Thread (G)	12
Weight	0,92 Kg
Basic dynamic load rating (C)	30,7 kN
Basic static load rating (C0)	19 kN
Housing material	Pressed steel
A ₁	29 mm
B ₄	8 mm
H ₁	43.6 mm
H ₂	5 mm
s ₁	30.2 mm
Basic dynamic load rating C	30.7 kN
Basic static load rating C ₀	19 kN
Fatigue load limit P _u	0.8 kN
Permissible radial housing	3.8 kN

P 40 TF Bearing 2D drawings and 3D CAD models



NTN BEARING-SUDAMERICANA, S.A.

load max.	
Limiting speed	4800 r/min
Mass bearing unit	0.86 kg
Thread grub screw G ₂	M8x1
Hexagonal key size for grub screw N	4 mm
Recommended tightening torque for grub screw	6.5 N · m
Recommended diameter for attachment bolts, mm G	12 mm
Recommended diameter for attachment bolts, inch G	0.5 in