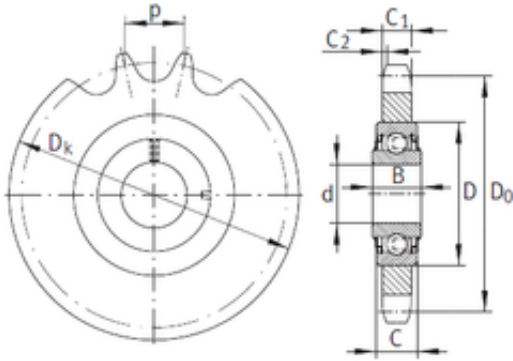




# NTN BEARING-SUDAMERICANA, S.A.

16,2 mm x 40 mm x 18,3 mm INA  
KSR16-L0-08-10-18-16 Bearing unit



Bearing No. KSR16-L0-08-10-18-16

|                 |                 |
|-----------------|-----------------|
| Size            | 16.2x40x18.3 mm |
| Bore Diameter   | 16,2 mm         |
| Outer Diameter  | 40 mm           |
| Width           | 18,3 mm         |
| d               | 16,2 mm         |
| D               | 40 mm           |
| B               | 18,3 mm         |
| Number of teeth | 18              |
| Do              | 73,1 mm         |
| Dk              | 78,6 mm         |
| C               | 12 mm           |
| C1              | 7 mm            |
| C2              | 1,1 mm          |
| Weight          | 0,21 Kg         |
| 1               | DIN 8187        |

KSR16-L0-08-10-18-16 Bearing 2D drawings and 3D CAD models