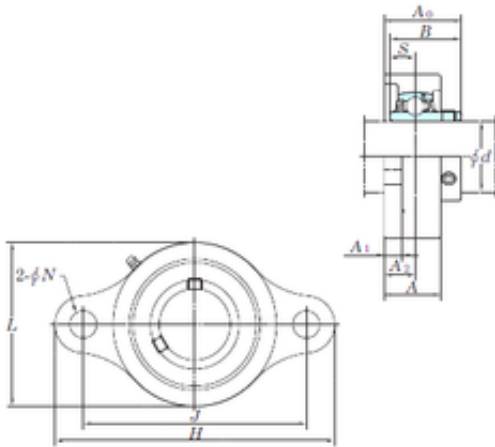




NTN BEARING-SUDAMERICANA, S.A.



KOYO UCSFL206H1S6 Bearing unit

Bearing No. UCSFL206H1S6

Bore Diameter	30 mm
d	30 mm
A0	40,2 mm
A	31 mm
A1	10 mm
B	38,1 mm
H	148 mm
J	117 mm
L	80 mm
N	16 mm
S	15,9 mm
Bolt (G)	M14
A2	18 mm
Weight	0,86 Kg
Basic dynamic load rating (C)	16,5 kN
Basic static load rating (C0)	9,05 kN
Bearing No.	UCSFL206H1S6
Bolt size	M14
Cr	16.5
C0r	9.05
f0	13.9
(Refer.) Unit mass(kg)	0.86

UCSFL206H1S6 Bearing 2D drawings and 3D CAD models