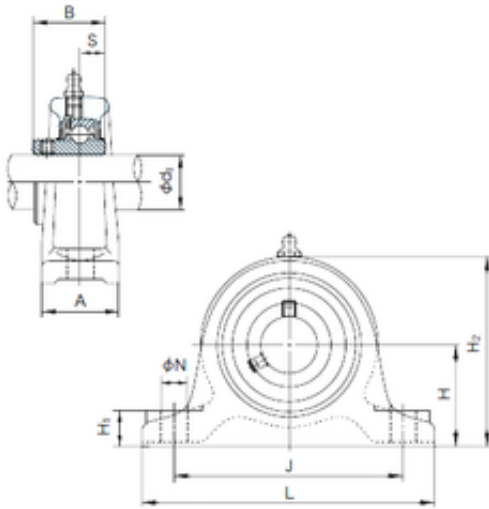




# NTN BEARING-SUDAMERICANA, S.A.



## NACHI UCIP319 Bearing unit

Bearing No. UCIP319

Bore Diameter	95 mm
Width	103 mm
d	95 mm
A	85 mm
B	103 mm
H	150 mm
H1	45 mm
H2	285 mm
J	340 mm
L	410 mm
N	29 mm
S	41 mm
Bolt (G)	M24

UCIP319 Bearing 2D drawings and 3D CAD models