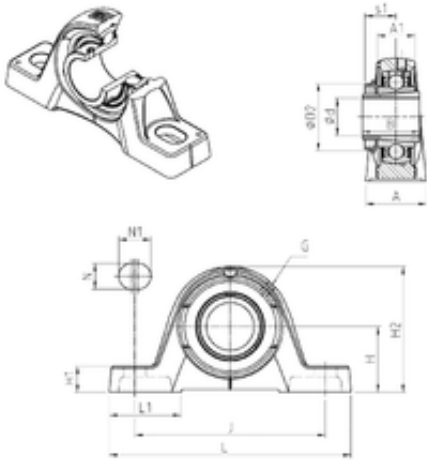




NTN BEARING-SUDAMERICANA, S.A.

SNR UKPE216H Bearing unit

Bearing No. UKPE216H



UKPE216H Bearing 2D drawings and 3D CAD models

Bore Diameter	70 mm
d	70 mm
s1	39 mm
A	78 mm
A1	55 mm
B	78 mm
D2	105 mm
H	89 mm
H1	30 mm
H2	175 mm
J	232 mm
L	290 mm
L1	90 mm
N	26 mm
N1	34 mm
Thread (G)	R1/8"
Weight	9,4 Kg
Basic dynamic load rating (C)	72,5 kN