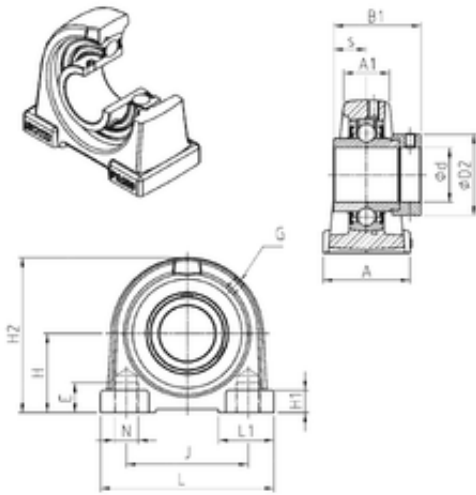




# NTN BEARING-SUDAMERICANA, S.A.



## SNR EXPA208 Bearing unit

Bearing No. EXPA208

Bore Diameter	40 mm
d	40 mm
s	21,4 mm
A	54 mm
A1	28 mm
B1	56,3 mm
D2	60,3 mm
E	20 mm
H	49,2 mm
H1	13 mm
H2	100 mm
J	84 mm
L	116 mm
L1	32 mm
Thread (G)	M6x1
Thread (N1)	M14
Weight	1,9 Kg
Basic dynamic load rating (C)	29,6 kN

EXPA208 Bearing 2D drawings and 3D CAD models