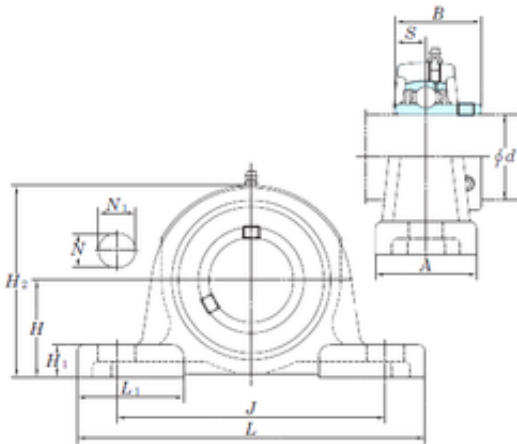




# NTN BEARING-SUDAMERICANA, S.A.



## KOYO UCP205 Bearing unit

Bearing No. UCP205

Bore Diameter	25 mm
Width	34,1 mm
d	25 mm
A	38 mm
B	34,1 mm
H	36,5 mm
H1	13 mm
H2	71 mm
J	105 mm
L	140 mm
L1	43 mm
N	13 mm
N1	18 mm
S	14,3 mm
Bolt (G)	M10
Weight	0,8 Kg
Basic dynamic load rating (C)	14 kN
Basic static load rating (C0)	7,85 kN
Bearing No.	UCP205
Bolt size	M10
Cr	14.0
C0r	7.85
f0	13.9
(Refer.)Unit mass(kg)	0.80
Nipple size	1/4-28UNF

UCP205 Bearing 2D drawings and 3D CAD models