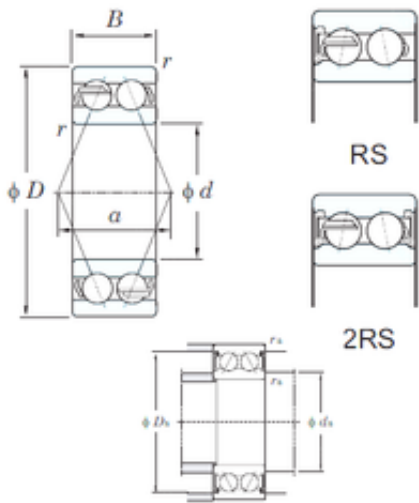




NTN BEARING-SUDAMERICANA, S.A.



65 mm x 140 mm x 58.7 mm KOYO 5313-2RS
Angular contact ball bearing

Bearing No. 5313-2RS

Size	65x140x58.7 mm
Bore Diameter	65 mm
Outer Diameter	140 mm
Width	58.7 mm
d	65 mm
D	140 mm
B	58.7 mm
C	58.7 mm
a	70.9 mm
r min.	2.1 mm
da min.	77 mm
da max	85.9 mm
Da max.	128 mm
ra max.	2 mm
Weight	3.91 Kg
Basic dynamic load rating (C)	142 kN
Basic static load rating (C0)	113 kN

5313-2RS Bearing 2D drawings and 3D CAD models